

Travelling in all directions through electronically controlled all-wheel steering

Onboard computer to display and operate main functions

MULTI-PILOT control lever

3-phase AC technology for travelling, lifting and steering

Energy reclamation during braking and lowering (patented regenerative lowering)

Hydraulic fork adjustment for different load widths (optional)



ETV Q20/ETV Q25

Electric multi-directional reach truck (2000, 2500 kg)

Multi-directional reach trucks are utilised wherever long loads are transported in narrow aisles and need to be lifted to high lift heights. Due to electric all-wheel steering, loads up to 8 m length can be transported and stored, maximising space in the warehouse.

Seven travel programs are available for this purpose: from improved normal operation and turning on the spot to crossways and parallel travel. In the travel mode "improved normal operation", the already small turning radius is further reduced by up to 34% through simultaneous load wheel steering. The ETV Q is thus superior to any conventional 4-way stacker.

Steering change-over from 180° to 360° provides the choice between minimum turning radius and fast travel direction change during travel.

The onboard computer combines a number of functions in one operating display. Multi-occupied function keys and a colour display allow the operator full control and access options to travel modes or performance parameters.

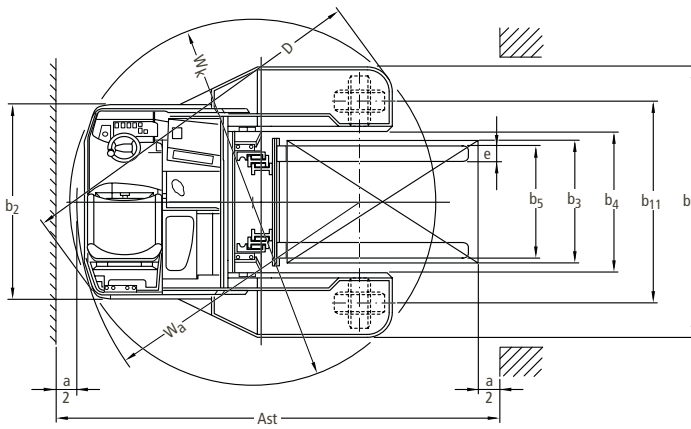
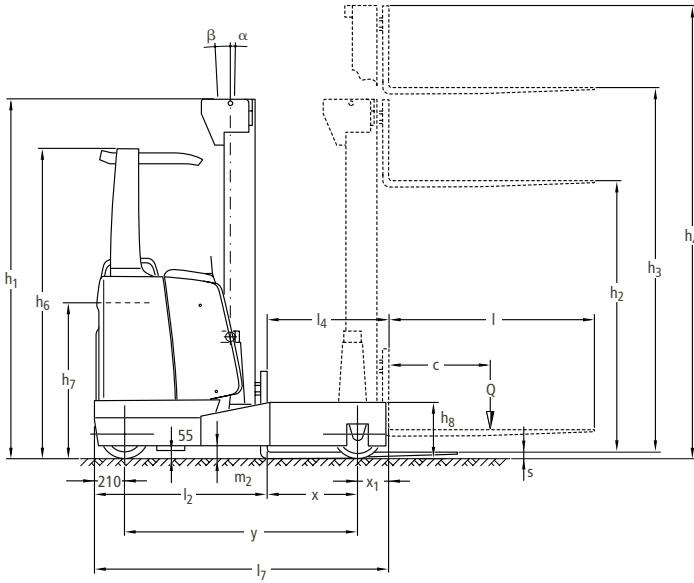
Added to excellent performance productivity is outstanding cost effectiveness:

- Increased travel and lift performance for more pallet throughput.

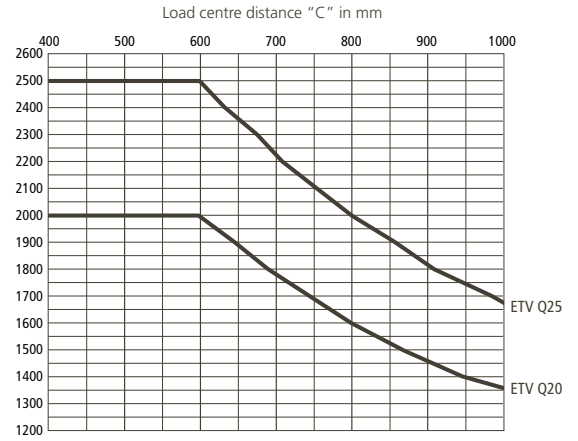
- Long operating times through energy reclamation during braking and lowering the load (patented).
- Smaller aisle width requirement through tried and tested reach mast principle.
- Significantly reduced mast vibrations through patented mast forward reach cushioning system.

An extensive options catalogue and many battery variants from 420 to 930 Ah ensure the truck's suitability for any application.

ETV Q20/ETV Q25



Capacity



Mast table ETV Q20/ETV Q25

Designation	Closed mast height h_1 mm	Lift height h_3 mm	Free lift h_2 mm	Extended mast height h_4 mm	Mast tilt forward/backward α°/β°	Fork tilt* forward/backward α°/β°
Three-stage DZ*	2050	4250	1320	4996	1/5	–
	2200	4700	1470	5446	1/5	–
	2300	5000	1570	5746	1/5	–
	2400	5300	1670	6046	1/5	–
	2500	5600	1770	6346	1/3	–
	2700	6200	1970	6946	1/3	–
	2900	6800	2170	7546	0.5/2	–
	3100	7400	2370	8146	0.5/2	2/5
	3300	8000	2570	8746	0.5/1	2/5
	3440	8420	2710	9166	0.5/1	2/5
	3540	8720	2810	9466	–	2/5
	3670	9110	2940	9856	–	2/5
3840	9620	3110	10366	–	2/5	

* ETV Q25: h_3 maximum to 8420 mm; fork tilt not available

Technical Data in line with VDI 2198 as at: 10/2006

		Jungheinrich	Jungheinrich		
Identification	1.1	Manufacturer (abbreviation)	Jungheinrich	Jungheinrich	1.1
	1.2	Manufacturer's type designation	ETV Q20	ETV Q25	1.2
	1.2	G = fork; E = integrated sideshift	G	G	1.2
	1.3	Drive (electric – battery or mains, diesel, petrol, fuel gas, manual)	electric	electric	1.3
	1.4	Type of operation (hand, pedestrian, standing, seated, order picker)	seated	seated	1.4
	1.5	Load capacity/rated load Q (t)	2	2.5	1.5
	1.6	Load centre distance c (mm)	600	600	1.6
	1.8	Lastabstand x (mm)	438 ¹⁾	503 ¹⁾	1.8
	1.8	Load distance, centre of drive axle to fork x ₁ (mm)	226	226	1.8
1.9	Wheelbase y (mm)	1488	1643	1.9	
Weights	2.1	Service weight incl. battery (see line 6.5) kg	3800 ¹⁾	4100 ¹⁾	2.1
	2.3	Axle loading, unladen front/rear kg	2220/1580	2490/1610	2.3
	2.4	Axle loading, fork advanced, laden front/rear kg	550/5250	570/6030	2.4
	2.5	Axle loading, fork retracted, laden front/rear kg	1960/3840	2320/4280	2.5
Wheels, Chassis	3.1	Tyres (solid rubber, superelastic, pneumatic, polyurethane)	Vulkollan®	Vulkollan®	3.1
	3.2	Tyre size, front	343 x 140	343 x 140	3.2
	3.3	Tyre size, rear	343 x 140	343 x 140	3.3
	3.5	Wheels, number front/rear (x = driven wheels)	1x/2	1x/2	3.5
3.7	Track width, rear b ₁₁ (mm)	1380	1380	3.7	
Basic Dimensions	4.1	Mast/fork carriage tilt forward/backward α/β (°)	1/5 ²⁾	1/5 ²⁾	4.1
	4.2	Lowered mast height h ₁ (mm)	2400	2400	4.2
	4.3	Free lift h ₂ (mm)	1670	1670	4.3
	4.4	Lift height h ₃ (mm)	5300	5300	4.4
	4.5	Extended mast height h ₄ (mm)	6046	6046	4.5
	4.7	Overhead load guard (cab) height h ₆ (mm)	2190	2190	4.7
	4.8	Seat height/standing height h ₇ (mm)	1010	1010	4.8
	4.10	Height of wheel arms h ₈ (mm)	442	442	4.10
	4.19	Overall length l ₁ (mm)	2060 ¹⁾	2150 ¹⁾	4.19
	4.20	Length to face of forks l ₂ (mm)	1260 ¹⁾	1350 ¹⁾	4.20
	4.21	Overall width b ₁ /b ₂ (mm)	1720/1186	1720/1186	4.21
	4.22	Fork dimensions s/e/l (mm)	50 x 140 x 1150	50 x 140 x 1150	4.22
	4.23	Fork carriage ISO 2328, class/type A, B	2/B	2/B	4.23
	4.24	Fork carriage width b ₃ (mm)	800	800	4.24
	4.25	Width over forks b ₅ (mm)	356/737	356/737	4.25
	4.26	Distance between support arms/loading surfaces b ₄ (mm)	900	900	4.26
	4.28	Reach distance l ₄ (mm)	664 ¹⁾	729 ¹⁾	4.28
4.32	Ground clearance, centre of wheelbase m ₂ (mm)	95	95	4.32	
4.33	Aisle width for pallets 1000 x 1200 crossways Ast (mm)	2763/2503 ⁶⁾	2871/2589 ⁶⁾	4.33	
4.34	Aisle width for pallets 800 x 1200 lengthways Ast (mm)	2802/2703 ⁶⁾	2896/2789 ⁶⁾	4.34	
4.35	Truck diagonal D (mm)	2277	2405	4.35	
4.35	Turning radius Wa (mm)	1741 ³⁾	1892 ³⁾	4.35	
4.37	Length across wheel arms l ₇ (mm)	1902	2057	4.37	
Performance Data	5.1	Travel speed, laden/unladen km/h	11.5/11.5 ⁵⁾	11.5/11.5 ⁵⁾	5.1
	5.2	Lift speed, laden/unladen m/s	0.28/0.52 ²⁾	0.23/0.37 ²⁾	5.2
	5.3	Lowering speed, laden/unladen m/s	0.5/0.5 ²⁾	0.5/0.5 ²⁾	5.3
	5.4	Reach speed, laden/unladen m/s	0.12/0.12 ⁴⁾	0.12/0.12 ⁴⁾	5.4
	5.7	Gradient performance, laden/unladen %	7/11	6/11	5.7
	5.8	Max. gradient performance, laden/unladen %	10/15	10/15	5.8
5.9	Acceleration time, laden/unladen s	4.6/4.3	5.0/4.4	5.9	
5.10	Service brake	mechanic/hydraulic	mechanic/hydraulic	5.10	
E-Motor	6.1	Drive motor rating S ₂ 60 min. kW	6	6	6.1
	6.2	Lift motor rating at S ₃ 15 % kW	12	12	6.2
	6.3	Battery acc. to DIN 43531/35/36 A, B, C, no	43531 B	43531 B	6.3
	6.4	Battery voltage, nominal capacity K ₅ V/Ah	48/420 ¹⁾	48/560 ¹⁾	6.4
	6.5	Battery weight kg	746 ¹⁾	937 ¹⁾	6.5
	Battery dimensions l/w/h mm	1035/353/784 ¹⁾	1035/443/784 ¹⁾		
Others	8.1	Type of drive control	MOSFET control	MOSFET control	8.1
	8.2	Operating pressure for attachments bar	180	180	8.2
	8.3	Oil volume for attachments l/min	32	32	8.3
	8.4	Sound level at driver's ear according to EN 12053 dB(A)	70	70	8.4
1) other battery sizes change these values		3) turning radius when turning on the spot: 1215 mm	5) in fork direction 10.3 km/h		
2) dependent on mast		4) to lift height 6200 mm	6) with ground storage		

This specification sheet according to VDI regulation 2198 only provides technical values for the standard truck. Non-standard tyres, different masts, additional equipment, etc. could produce other values. Right reserved for technical changes and improvements.

Make use of the advantages

Ergonomic cockpit

The operator cab provides ideal working conditions for excellent performance and support for the operator.

- Comfort seat with adjustment options for every operator (sitting position/backrest/body weight).
- Various storage facilities.
- Important operating functions are accessible without reaching round.
- Generous space.
- 3-phase AC steering on all three wheels with switch-over facility from 180° to 360°.
- Pedals arranged as in a motor car.

MULTI-PILOT control lever

A conveniently positioned lever for controlling all hydraulic functions as well as travel direction and horn.

- All operating functions are within view and are clearly accessed with one function.
- Maximum productivity through simultaneous operation of two hydraulic functions (e.g. lifting and reaching).
- Only supplementary attachments are operated with the additional lever (optional).
- Sensitive operation of hydraulics (e.g. lifting and lowering) through proportional valve control.



Ergonomic cockpit

Onboard computer

The onboard computer combines many functions in one operating display that ensures high performance.

- Large colour screen (TFT display).
- 7 different travel modes are selectable.
- Travel direction display and speed indicator.
- Simple fault diagnosis can be carried out in the service mode.
- PIN access authorisation with user administration (optional).
- Height selection for faster stacking at high lift heights (optional).
- Control monitor for video camera (optional).

3-phase AC technology

Efficient 3-phase AC technology for travel, lift and steering drive provide a number of advantages compared with traditional direct current motors.

- Powerful acceleration.
- Fast reversing without delay.
- High availability through maintenance-free motors without carbon brushes.
- Longer operating times through energy reclamation on reducing travel speed and during load lowering.
- 2-year warranty on all 3-phase AC motors.



MULTI-PILOT and onboard computer



Space-saving transport of long loads

Performance-efficient mast

Jungheinrich masts guarantee maximum safety and storage utilisation to high lift heights.

- Excellent visibility towards the load.
- Patented mast forward reach cushioning.
- Lowest closed mast heights at high lift heights.
- Extremely long service life through cold-drawn mast profiles.
- Energy feed-back through patented regenerative lowering.
- High residual capacities up to high lift heights.
- Lift heights up to 9620 mm.

Jungheinrich Aktiengesellschaft

Friedrich-Ebert-Damm 129
D-22047 Hamburg
Telephone +49 40 6948-0
Telefax +49 40 6948-3604

info@jungheinrich.com
www.jungheinrich.com

Jungheinrich AG
ISO 9001, ISO 14001
Certification of Quality and
Environment Management.



Jungheinrich trucks
conform to the European
Safety Requirements.



 **JUNGHEINRICH**
Well worthwhile