



Ergonomic cab design for high productivity

For lorry loading and offloading as well as horizontal transportation

Progressive electric steering

Smooth acceleration with "SpeedControl"

ESE 120/220/320

Electric stand-on/sideways powered pallet truck

The ESE 120/220/320 pallet trucks are ideally suited to horizontal transportation over medium to long distances. All three trucks have excellent visibility and relaxed cab layout for the operator, due to the sideways seating arrangement. This is particularly beneficial during frequent travel direction changes.

The ESE 120 is a stand-on truck with a chassis width of only 760 mm, even narrower than a Euro pallet. This creates

ideal conditions for easy pallet positioning inside lorries and for rapid lorry loading and unloading. The foldable seat provides additional comfort during travel over long distances, as it acts as a comfortable back-rest when folded up. The low entry height makes frequent mounting and dismounting easy.

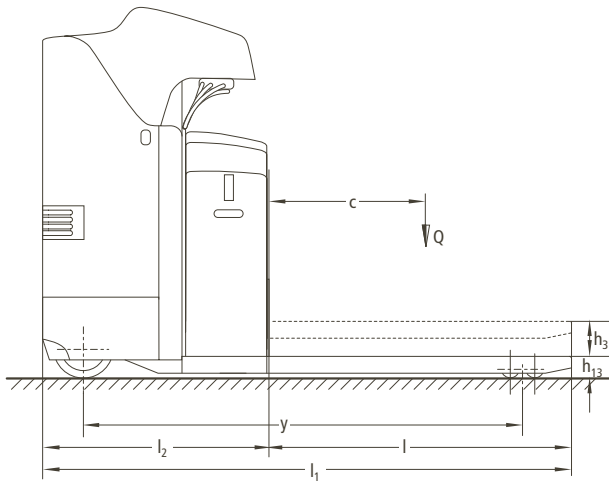
The ESE 220 with an 830 mm chassis width and the ESE 320 with a 950 mm chassis width provides the operator with

permanent sideways seating giving a high level of comfort, thus being particularly suitable for transporting goods over long distances.

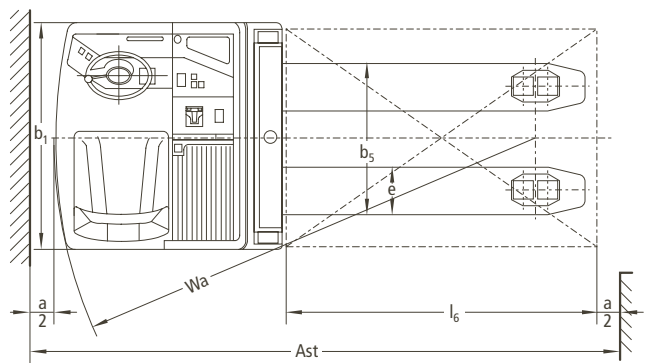
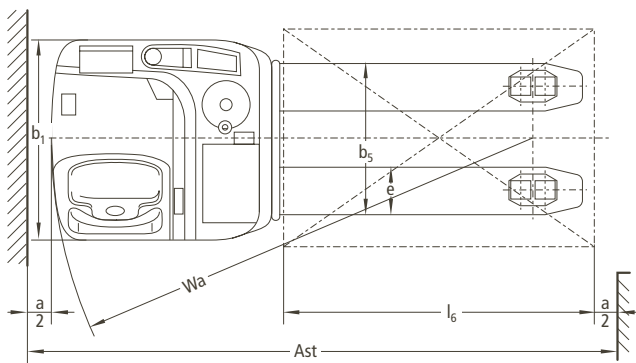
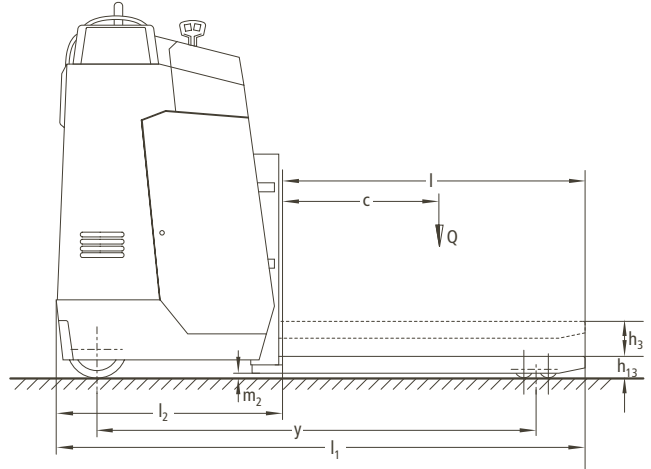
All trucks are fitted with 2 kW drive motors for powerful acceleration and high top speeds. The extremely robust construction gives further benefits of long life and low running costs. Due to excellent ergonomics, high productivity can be achieved easily and safely.

ESE 120/220/320

ESE 120



ESE 220/320



Technical Data in line with VDI 2198 as at: 05/2007

Identification	1.1	Manufacturer (abbreviation)	Jungheinrich	Jungheinrich	Jungheinrich	Jungheinrich	1.1	
	1.2	Manufacturer's type designation	ESE 120 short	ESE 120 long	ESE 220	ESE 320	1.2	
	1.3	Drive	electric	electric	electric	electric	1.3	
	1.4	Operator type	stand-on/seat	stand-on/seat	seat	seat	1.4	
	1.5	Load capacity/rated load	Q (t)	2.0	2.0	2.0	2.0	1.5
	1.6	Load centre distance	c (mm)	600	600	600	600	1.6
	1.8	Load distance, centre of drive axle to fork	x (mm)	964 ¹⁾	964 ¹⁾	964 ¹⁾	964 ¹⁾	1.8
	1.9	Wheelbase	y (mm)	1959 ¹⁾	1731 ¹⁾	1591 ¹⁾	1611 ¹⁾	1.9
	Weights	2.1	Service weight incl. battery (see line 6.5)	kg	857	990	974	1100
2.2		Axle loading, laden front/rear	kg	1017/1840	1090/1900	1114/1860	1200/1900	2.2
2.3		Axle loading, unladen front/rear	kg	642/215	750/240	700/274	800/300	2.3
Wheels, Chassis	3.1	Tyres		polyurethane	polyurethane	polyurethane	polyurethane	3.1
	3.2	Tyre size, front		230x78	230x78	230x78	230x78	3.2
	3.3	Tyre size, rear		85x85	85x85	85x85	85x85	3.3
	3.4	Additional wheels (dimensions)		140x54	140x54	180x65	180x65	3.4
	3.5	Wheels, number front/rear (x = driven wheels)		1+1x/4	1+1x/4	1+1x/4	1+1x/4	3.5
	3.6	Tread, front	b ₁₀ (mm)	475	475	540	650	3.6
	3.7	Tread, rear	b ₁₁ (mm)	340/370/490	340/370/490	340/370/500	340/370/500	3.7
Basic Dimensions	4.4	Lift	h ₃ (mm)	125	125	125	125	4.4
	4.8	Seat height/stand height	h ₇ (mm)	245	245	1000	1000	4.8
	4.15	Height, lowered	h ₁₃ (mm)	90	90	90	90	4.15
	4.19	Overall length	l ₁ (mm)	2024	2096	2030	2030	4.19
	4.20	Length to face of forks	l ₂ (mm)	874	946	880	880	4.20
	4.21	Overall width	b ₁ /b ₂ (mm)	760/-	760/-	830/-	950/-	4.21
	4.22	Fork dimensions	s/e/l (mm)	55x170x1150	55x170x1150	55x170x1150	55x170x1150	4.22
	4.25	Distance between fork-arms	b ₅ (mm)	510/540/660	510/540/660	510/540/660	510/540/660	4.25
	4.32	Ground clearance, centre of wheelbase	m ₂ (mm)	30	30	30	30	4.32
	4.33	Aisle width for pallets 1000x1200 crossways	Ast (mm)	2074 ¹⁾	2146 ¹⁾	2017 ¹⁾	2136 ¹⁾	4.33
	4.34	Aisle width for pallets 800x1200 lengthways	Ast (mm)	2274 ¹⁾	2346 ¹⁾	2217 ¹⁾	2336 ¹⁾	4.34
4.35	Turning radius	Wa (mm)	1838 ¹⁾	1910 ¹⁾	1781 ¹⁾	1900 ¹⁾	4.35	
Performance Data	5.1	Travel speed, laden/unladen	km/h	8,5/10,5	8,5/10,5 ²⁾	8,4/10,7 ²⁾	8,5/10,5 ²⁾	5.1
	5.2	Lift speed, laden/unladen	m/s	0.04/0.05	0.04/0.05	0.04/0.05	0.04/0.05	5.2
	5.3	Lowering speed, laden/unladen	m/s	0.065/0.045	0.065/0.045	0.065/0.04	0.065/0.04	5.3
	5.7	Gradeability, laden/unladen	%	3/6 ²⁾	3/6 ²⁾			5.7
	5.8	Max. gradeability, laden/unladen	%	6/12 ³⁾	6/12 ³⁾	6/13	6/12	5.8
	5.9	Acceleration time, laden/unladen	s	6/5 ⁴⁾	6/5 ⁴⁾			5.9
	5.10	Service brake		electro-mechanic	electro-mechanic	electro-mechanic	electro-mechanic	5.10
E-Motor	6.1	Drive motor rating S ₂ 60 min.	kW	2,0	2,0 ³⁾	2,0 ³⁾	2,0 ³⁾	6.1
	6.2	Lift motor rating at S ₃ 5%	kW	2.0	2.0	2.2	2.2	6.2
	6.3	Battery acc. to DIN 43531/35/36 A, B, C, no		B	B	no	no	6.3
	6.4	Battery voltage, nominal capacity K _s	V/Ah	24/375	24/500	24/465	24/465	6.4
	6.5	Battery weight	kg	297	370	370	370	6.5
Others	8.1	Type of drive control		SpeedControl	SpeedControl	SpeedControl	SpeedControl	8.1
	8.4	Sound level at the driver's ear acc. to DIN 12 053	dB (A)	66	66			8.4

- 1) Load section lowered: +90 mm
 2) with RapidDrive 2.5 (optional)
 3) with RapidDrive 9.5/12.5 (optional)

Make use of the advantages

Powerful drive motor

- All trucks in the ESE range are fitted with powerful 2 kW shunt-wound motors with excellent gearing.
- The ESE range is also available with 2.5 kW rapid drive (optional) for longer distances and higher speeds.



ESE 220/320 with comfortable seat

Comfortable operation and control

Safe speed regulation with SpeedControl. SpeedControl ensures high safety and effortless control of the truck in every situation.

- Anti roll-back on gradients with automatically activated brake.
- Constant travel speed on both up and down gradients.
- Energy reclamation via regenerative braking.
- Particularly smooth stepless operation.
- Ability to alter acceleration and braking parameters.

ESE 120

- Speed control via travel switch.
- Push button for lift function can be operated without changing the operators hand position.
- High operator stability when standing, via solid drive control lever.

ESE 220/320

- Travel and lift control operation via multifunctioning lever.

Ergonomic cab design for high productivity

The arrangement of the operators workplace sideways on to the travel direction ensures high visibility and reduces neck strain due to frequent travel direction change. Various storage facilities (pencil tray, small parts tray, paper holder) create a tidy working environment and a safety switch in the foot well ensures maximum safety.

ESE 120

- Fold up seat used as backrest during stand-on operation.
- Foot rest for better support when sitting.

ESE 220/320

- Comfort seat with weight adjustment.
- Upholstered armrest.
- Upholstered knee area.

Powerful battery

ESE 120

- Short battery compartment; 3 EPZS 375 Ah.
- Long battery compartment; 4 EPZS 500 Ah.

ESE 220/320

- 3 EPZS 465 Ah.



Ergonomic cab layout ESE 120

Reduced maintenance

- Easily removable panels, reducing access time.
- Sideways battery removal with rollers.

Additional equipment

- Different load wheels (dependent on application).
- RapidDrive.
- Cold store version.
- PIN Code lock.
- Steering wheel on the left side (ESE 120).
- Vertical load guard.
- Battery discharge and steering position display.

Jungheinrich UK Ltd.

Head Office:

Sherbourne House · Sherbourne Drive
Tilbrook · Milton Keynes MK7 8HX
Phone 01908 363100
Fax 01908 363180

info@jungheinrich.co.uk
www.jungheinrich.co.uk

Jungheinrich AG
ISO 9001, ISO 14001
Certification of Quality and
Environment Management.



Jungheinrich trucks
conform to the European
Safety Requirements.



JUNGHEINRICH
Well worthwhile