

**Robust construction
for most intensive applications**

**ProTracLink for optimum
travel characteristics**

**Choice of foldable for fixed
stand-on platform**

Electric tiller steering (optional)



ERE 224

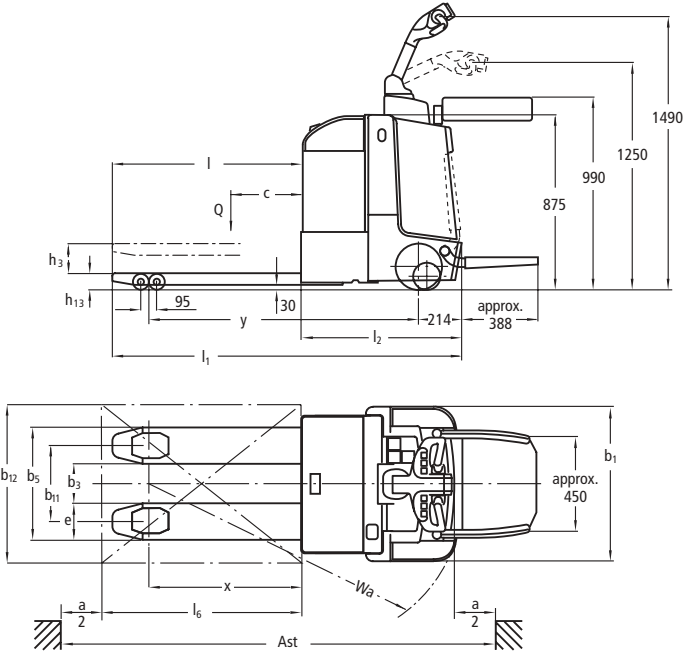
Electric pedestrian pallet truck (2400 kg)

The ERE is a low level pallet truck for flexible application as pedestrian or stand-on truck. The ERE optimally adjusts to any application by simply folding the platform and side guards down or up. Best example: lorry loading and offloading. Compared with just pedestrian trucks – through higher speeds achieved in ride-on operation, goods throughput is particularly economical and long transport distances can be managed effortlessly.

The stand-on platform provides excellent comfort and safety: the cushioning manifestly “swallows” all bumps on rough surfaces and thresholds. For safety reasons, the platform does not fold up automatically after leaving the truck. However, a simple touch with the foot is sufficient for it to glide back into the truck contours. The rounded contours of the truck and of the side supports reduce the danger of “getting caught” on obstacles, such as racking or lorry struts.

The ERE is fed the required energy for time-intensive transport over long distances by batteries up to 375 Ah.

ERE 224



Technical Data in line with VDI 2198 as at: 05/2006

Identification	1.1	Manufacturer (abbreviation)		Jungheinrich	1.1
	1.2	Manufacturer's type designation		ERE 224	1.2
	1.3	Drive: electric (battery or mains), Diesel, petrol, fuel gas, manual		battery electric	1.3
	1.4	Type of operation: manual, pedestrian, stand-on, seated, order picking		pedestrian	1.4
	1.5	Load capacity/rated load	Q (t)	2.4	1.5
	1.6	Load centre distance	c (mm)	600	1.6
	1.8	Load distance, centre of drive axle to fork	x (mm)	874 ¹⁾	1.8
	1.9	Wheelbase	y (mm)	1383/1448 ¹⁾	1.9
	Weights	2.1	Service weight incl. battery (see line 6.5)	kg	830
2.2		Axle loading, laden front/rear	kg	1120/2110	2.2
2.3		Axle loading, unladen front/rear	kg	650/180	2.3
Wheels, Chassis	3.1	Tyres: solid rubber, superelastic, pneumatic, polyurethane		PU/Vulkollan®	3.1
	3.2	Tyre size, front		230 x 77	3.2
	3.3	Tyre size, rear		85 x 85	3.3
	3.4	Additional wheels (dimensions)		140 x 54	3.4
	3.5	Wheels, number front/rear (x = driven wheels)		1x + 2/4	3.5
Basic Dimensions	3.7	Track width, rear	b ₁₁ (mm)	340/370/500	3.7
	4.4	Lift height	h ₃ (mm)	125	4.4
	4.9	Tiller height in drive position min./max.	h ₁₄ (mm)	1130/1400	4.9
	4.15	Lowered height	h ₁₃ (mm)	85	4.15
	4.19	Overall length	l ₁ (mm)	1873/1938 ²⁾	4.19
	4.20	Length to face of forks	l ₂ (mm)	723/788 ²⁾	4.20
	4.21	Overall width	b ₁ /b ₂ (mm)	770	4.21
	4.22	Fork dimensions	s/e/l (mm)	55/170/1150	4.22
	4.25	Width over forks	b ₅ (mm)	510/540/670	4.25
	4.32	Ground clearance, centre wheelbase	m ₂ (mm)	30	4.32
	4.33	Aisle width for pallets 1000 x 1200 crossways	Ast (mm)	2089/2154 ³⁾	4.33
4.34	Aisle width for pallets 800 x 1200 lengthways	Ast (mm)	2139/2204 ⁴⁾	4.34	
4.35	Turning radius	Wa (mm)	1613/1678 ¹⁾	4.35	
Performance Data	5.1	Travel speed laden/unladen	km/h	8.5/10	5.1
	5.2	Lift speed laden/unladen	m/s	0.04/0.05	5.2
	5.3	Lowering speed laden/unladen	m/s	0.065/0.04	5.3
	5.8	max. gradient performance laden/unladen	%	8/15	5.8
	5.10	Service brake		tiller	5.10
E-Motor	6.1	Drive motor rating S ₂ 60 min.	kW	2.0	6.1
	6.2	Lift motor rating at S ₃ 15 %	kW	2.0	6.2
	6.3	Battery acc. to DIN 43531/35/36 A, B, C, no		B	6.3
	6.4	Battery voltage, nominal capacity K ₅	V/Ah	24/345 (375)	6.4
	6.5	Battery weight	kg	288	6.5
Others	8.1	Type of drive control		Impulse	8.1

- 1) load section lowered: + 90 mm
 2) with folded down platform: + 390 mm; with fixed platform: + 460 mm
 3) load section lowered: + 90 mm; diagonal acc. to VDI: + 337 mm
 4) load section lowered: + 90 mm; diagonal acc. to VDI: + 190 mm

Make use of the advantages

Powerful drive motor and "intelligent" controls

Progressive drive technology and control electronics (SpeedControl) ensure safe travel characteristics with adjustment opportunities for every application:

- The prescribed speed on the travel switch is maintained in every travel situation – even on gradients.
- The ERE 224 is automatically braked during unintentional roll-back on ramps.
- Individually adjustable travel parameters facilitate optimum adjustment to every application.
- Energy reclamation through regenerative braking by taking back the travel speed.
- 2-year warranty on drive motor.

Flexible application opportunities

Different types of platform (foldable/fixed) create various means of utilisation.

Type 1: foldable stand-on platform with side supports

- Choice between pedestrian or ride-on operation
- Reduced travel speed (6.0 km/h) with side supports folded in
- Reduced travel speed (4.4 km/h) in pedestrian mode

Type 2: fixed stand-on platform with enclosed operator stand (optional)



Fixed stand-on platform

- Exclusively for non-pedestrian operations
- Protection for the operator over both sides

Robust construction for most intensive applications

- Chassis made of high-grade 8 mm steel.
- Additional collision protection on battery compartment as protection against "dynamic" loads.
- Torsion-resistant support arms with drawbar kinematics – no deflection on thresholds, particularly with heavy loads.



Robust through collision protection and drawbar kinematics

Long operating times

Battery capacity up to 375 Ah ensure long operating times.

- Short version: 3 PzB 300 Ah.
- Long version: 3 PzS 345 (375) Ah.

Optimum cornering

Sprung, hydraulically cushioned support wheels – linked via the coupling crank "ProTracLink" – distribute stabilising forces dependent on travel conditions: evenly over all wheels during straight travel; concentrated on the outer support wheel during cornering.

Well informed at any time

Wide-ranging monitoring instruments and



Jungheinrich CanCode and CanDis (optional)

adjustment options reassure the operator that everything is under control at a glance:

- Information display "CanDis" (optional) with additional operating hour display and service data memory
- Activation of truck via PIN with "CanCode" (optional)
- Further adjustments of travel parameters (optional)

Reduced maintenance

Significant long-term reduction of operating costs is ensured through service-friendly components:

- Easy access to all aggregates through one-piece front cover held by only two screws.
- Low support wheel wear during ascent of sloping ramp through level adjustment: a mechanical connection ensures that both support wheels are constantly at the same height. No catching of or damage to the otherwise suspended support wheel.

Additional equipment

- Electric tiller control.
- Entry rollers.
- Vertical load guard.
- Load section for sideways battery removal.
- Cold store design.

Jungheinrich UK Ltd.

Head Office:

Sherbourne House · Sherbourne Drive

Tilbrook · Milton Keynes MK7 8HX

Phone 01908 363100

Fax 01908 363180

info@jungheinrich.co.uk

www.jungheinrich.co.uk

Jungheinrich UK Ltd.
ISO 9001
Certification of Quality
Management.



Jungheinrich AG
ISO 9001, ISO 14001
Certification of Quality and
Environment Management.



Jungheinrich trucks
conform to the European
Safety Requirements.



JUNGHEINRICH
Well worthwhile