

ShockProtect to protect operator, truck and load

Maintenance-free 3-phase AC motor giving high productivity

Compact design for flexible usage

Excellent safety with fixed stand-on platform (optional)

ProTracLink suspension for high stability



ERE 120

Electric pedestrian/stand-on pallet truck (2000 kg)

You save valuable time with the ERE 120 when transporting goods: with a higher speed in stand-on mode – compared with solely pedestrian operated trucks – goods are cost effectively transported over longer distances.

The ERE 120 its very compact design is especially designed for very confined spaces such as on lorries. Just folding in the stand-on platform and side supports is enough for the ERE 120 to take the tightest corner.

Added to this is safety and operating comfort in every application:

- In addition to the softly sprung stand-on platform, the complete drive is cushioned with "ShockProtect".
- Through ShockProtect, the stand-on platform is completely separated from any vibration. The advantage: the operator's spine is protected; there is considerably less stress on the chassis of the ERE 120.
- The fixed stand-on platform (optional) with full side guards ensures maximum safety, especially during frequent reverse travel.

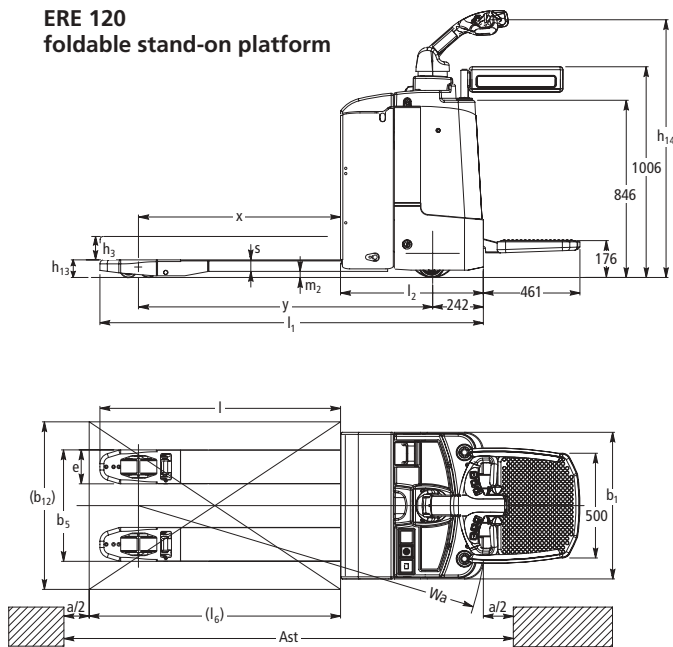
High performance is complemented by the high efficiency of the 1.6 kW 3-phase AC drive motor:

- Maintenance-free through no carbon brushes.
- Integrated energy reclamation during braking.
- Excellent acceleration for high throughput.

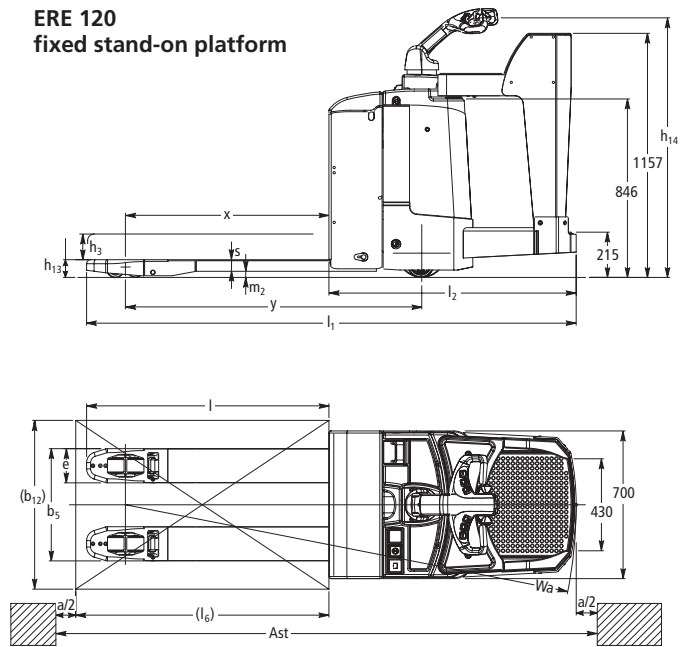
For intensive operation over long distances or on ramps, batteries with capacities up to 375 Ah are available. Optional integrated charger, also, available for flexible charging via 13 amp plug.

ERE 120

ERE 120
foldable stand-on platform



ERE 120
fixed stand-on platform



Technical Data in line with VDI 2198 as at: 09/2005

Identification	1.1	Manufacturer (abbreviation)	Jungheinrich	Jungheinrich	1.1	
	1.2	Manufacturer's type designation	ERE 120	ERE 120	1.2	
			foldable stand-on platform	fixed stand-on platform		
	1.3	Drive (electric – battery or mains, diesel, petrol, fuel gas, manual)	electric	electric	1.3	
	1.4	Type of operation (hand, pedestrian, standing, seated, order picker)	pedestrian/stand-on	pedestrian/stand-on	1.4	
	1.5	Load capacity/rated load	Q (t)	2.0	2.0	1.5
	1.6	Load centre distance	c (mm)	600	600	1.6
	1.8	Load distance, centre of drive axle to fork	x (mm)	910 ¹⁾	910 ¹⁾	1.8
	1.9	Wheelbase	y (mm)	1350/1422 ¹⁾	-/1422 ¹⁾	1.9
Weights	2.1	Service weight incl. battery (see line 6.5)	kg	669	784	2.1
	2.2	Axle loading, laden front/rear	kg	958/1711	1064/1720	2.2
	2.3	Axle loading, unladen front/rear	kg	524/145	644/140	2.3
Wheels, Chassis	3.1	Tyres (solid rubber, superelastic, pneumatic, polyurethane)	Vulk./PU + quartz/Vulk.	Vulk./PU + quartz/Vulk.	3.1	
	3.2	Tyre size, front	230 x 70	230 x 70	3.2	
	3.3	Tyre size, rear	85 x 100/82 x 70	85 x 100/82 x 70	3.3	
	3.4	Additional wheels (dimensions)	125 x 54	125 x 54	3.4	
	3.5	Wheels, number front/rear (x = driven wheels)	1x + 2/2 or 4	1x + 2/2 or 4	3.5	
	3.6	Track width, front	b ₁₀ (mm)	464	464	3.6
	3.7	Track width, rear	b ₁₁ (mm)	370/510	370/510	3.7
Basic Dimensions	4.4	Lift height	h ₃ (mm)	122	122	4.4
	4.9	Height of tiller in drive position min./max.	h ₁₄ (mm)	1130/1450	1130/1450	4.9
	4.15	Lowered height	h ₁₃ (mm)	85	85	4.15
	4.19	Overall length	l ₁ (mm)	1832/1904	-/2393	4.19
	4.20	Length to face of forks	l ₂ (mm)	682/754	-/1244	4.20
	4.21	Overall width	b ₁ /b ₂ (mm)	700/-	700/-	4.21
	4.22	Fork dimensions	s/e/l (mm)	55/162/1150	55/162/1150	4.22
	4.25	Width over forks	b ₅ (mm)	532/672	532/672	4.25
	4.32	Ground clearance, centre of wheelbase	m ₂ (mm)	30	30	4.32
	4.33	Aisle width for pallets 1000 x 1200 crossways	Ast (mm)	2056/2128 ²⁾	-/2594 ²⁾	4.33
4.34	Aisle width for pallets 800 x 1200 lengthways	Ast (mm)	2106/2178 ³⁾	-/2644 ³⁾	4.34	
4.35	Turning radius	Wa (mm)	1616/1688 ¹⁾	-/2154 ¹⁾	4.35	
Performance Data	5.1	Travel speed, laden/unladen	km/h	7.5/8.5	7.5/8.5	5.1
	5.2	Lift speed, laden/unladen	m/s	0.05/0.06	0.05/0.06	5.2
	5.3	Lowering speed, laden/unladen	m/s	0.055/0.04	0.055/0.04	5.3
	5.7	Gradient performance, laden/unladen	%	3/6	3/6	5.7
	5.8	Max. gradient performance, laden/unladen	%	8/16	8/16	5.8
	5.10	Service brake		regenerative	regenerative	5.10
E-Motor	6.1	Drive motor rating S ₂ 60 min.	kW	1.6	1.6	6.1
	6.2	Lift motor rating at S ₃ 10 %	kW	1.5	1.5	6.2
	6.3	Battery acc. to DIN 43531/35/36 A, B, C, no		B	B	6.3
	6.4	Battery voltage, nominal capacity K _s	V/Ah	24/230	24/345	6.4
	6.5	Battery weight	kg	210	290	6.5
Others	8.1	Type of drive control		impulse	impulse	8.1
	8.4	Sound level at driver's ear according to EN 12053	dB (A)	66	66	8.4

- 1) load section lowered: +55 mm
 2) load section lowered: +55 mm; diagonal according to VDI +367 mm
 3) load section lowered: +55 mm; diagonal according to VDI +204 mm

Make use of the advantages

High performance drive motor and "intelligent" controls

Advanced 3-phase AC drive technology and electronic control (SpeedControl) ensure safe and economical operation with adjustment for every application.

- The travel speed is maintained in every travel situation – especially on gradients.
- The ERE is automatically braked during unintentional roll back on ramps.
- Energy reclamation through regenerative braking on travel speed reduction.
- 2-year warranty on drive motor.

Flexible options

Two platform designs (foldable/fixed) allow useage in different applications:

Design 1:

Foldable stand-on platform with side support arms.

- Choice between pedestrian and stand-on operation.
- Reduced travel speed (6.0 km/h) with folded in side supports.

Design 2:

Fixed stand-on platform with enclosed support guards (optional).

- Exclusively for applications without pedestrian operation.
- Safe standing with side protection.
- Protection for the operator on both sides.



Choice of fixed or foldable platform



Protected operator workplace with fixed stand-on platform

Compact construction for every applications

- Utilisation in confined spaces with narrow chassis (700 mm) and short chassis length.
- Safe operation also with heavy loads through robustly designed support arms.
- Low-fatigue operation with ergonomically designed tiller head which has low steering forces.

Long operating times

Battery capacities up to 375 Ah ensure long operating times:

- Short version: 2 PzS 230 (250) Ah.
- Long version: 3 PzS 345 (375) Ah.

Optimum travel characteristics

- Hydraulically sprung cushioned side support wheels – connected via ProTraLink ensure safe and stable operation in all applications.
- Jungheinrich ShockProtect – protection for operator, truck and load through loaded sprung drive. The sprung loaded system reduces vibrations for operator and chassis.

Well-informed at any time

Extensive driver display gives the operator the feeling of having everything under control at any time:



Jungheinrich CanCode and CanDis (optional)

- Information display "CanDis" (optional) with additional operating hour display and service code memory.
- Activation of truck via PIN through "CanCode" (optional).
- Further adjustment for drive parameters (optional).

Reduced maintenance

Service-friendly components and easy access ensure reduced long-term operating costs:

- Low wear on side support wheels via levelling adjustment when approaching a ramp at an angle: through a mechanical link, both support wheels are always at the same height. As opposed to a spring-loaded support wheel, they do not hit anything and thus are not damaged.
- Form-closed wheel rims – exclusive to Jungheinrich – ensure a long service life for load wheels, even in the hardest applications.

Options:

- Entry rollers.
- Vertical load guard.
- Cold store design.

Jungheinrich UK Ltd.

Head Office:

Sherbourne House
Sherbourne Drive
Tilbrook
Milton Keynes MK7 8HX
Telephone 01908 363100

info@jungheinrich.co.uk
www.jungheinrich.co.uk

ISO 9001, ISO 14001
Certification of Quality and
Environment Management.



Jungheinrich trucks
conform to the European
Safety Requirements.



JUNGHEINRICH
Well worthwhile