

**Electric pedestrian pallet truck with additional mast lift for easy-on-the-back order picking and stacking**

**Powerful through maintenance-free 3-phase AC motor**

**Manoeuvrable and compact through small chassis dimension**

**Generously proportioned workplace**

**Fully manoeuvrable with tiller in upright position through crawl speed button**



## EJE C20

### Electric pedestrian pallet truck (2000 kg)

The EJE C20 is a pedestrian pallet truck that can also be used for order picking and light stacking operations. In addition to the support arm lift, the load can be raised up to 772 mm via a single mast integrated into the battery compartment. For example, order picking articles can be positioned effortlessly at an easy on the back picking height.

Light stacking tasks, such as taking a half pallet off a Euro pallet, can be resolved economically and simply through the separate wheel arm and mast lift (optional). The support arm lift capacity is 2000 kg and the mast lift capacity is 700 kg.

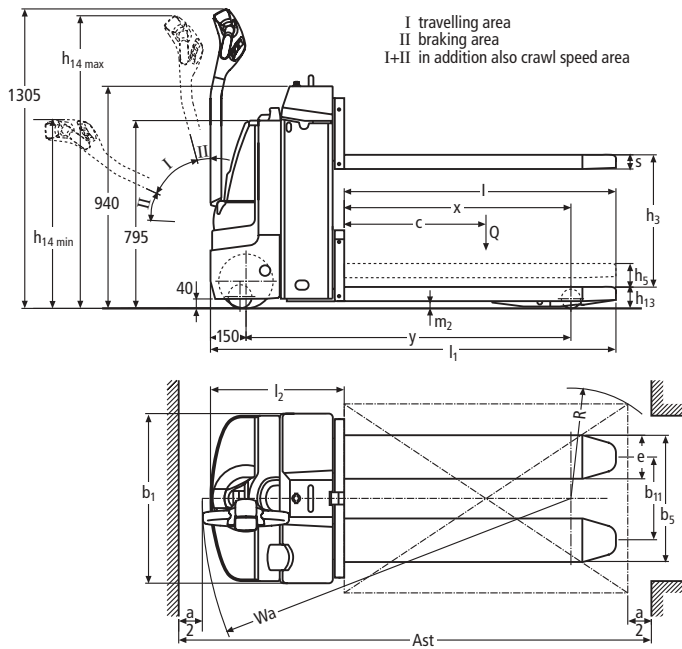
And then there is the powerful drive motor with 3-phase AC technology. Its optimised efficiency factor ensures high speed and powerful acceleration in every situation – the ideal preconditions for fast, efficient goods throughput.

The operator has everything under control at any time with the bottom mounted long tiller. It ensures the essential distance between operator and truck. Above all on corners, the EJE C20 never gets "too close" to the operator. And if space is particularly confined, the crawl speed button facilitates safe travel with the tiller in the

upright position. One touch of a button is sufficient: the brake is released and the drive switch controls travel at much reduced speed.

The EJE C20's low overall height particularly pays off in a confined space. It provides even the shorter operator with optimum visibility towards the fork tips.

# EJE C20



# Technical Data in line with VDI 2198 as at: 09/2005

Identification	1.1	Manufacturer (abbreviation)		Jungheinrich	1.1	
	1.2	Manufacturer's type designation		<b>EJE C20</b>	1.2	
	1.3	Drive (electric – battery or mains, diesel, petrol, fuel gas, manual)		battery electric	1.3	
	1.4	Type of operation (manual, pedestrian, standing, seated, order picker)		pedestrian	1.4	
	1.5	Load capacity/rated load	Q (t)		2.0	1.5
		Load capacity/rated load with mast lift	Q (t)		0.7	
		Load capacity/rated load with support arm lift	Q (t)		2.0	
	1.6	Load centre distance	c (mm)		600	1.6
	1.8	Load distance, centre of drive axle to fork	x (mm)		905 <sup>1)</sup>	1.8
1.9	Wheelbase	y (mm)		1320 <sup>1)</sup>	1.9	
Weights	2.1	Service weight incl. battery (see line 6.5)	kg	600	2.1	
	2.2	Axle loading, laden front/rear	kg	920/1680	2.2	
	2.3	Axle loading, unladen front/rear	kg	460/140	2.3	
Wheels, Chassis	3.1	Tyres (solid rubber, superelastic, pneumatic, polyurethane)		PU/PU	3.1	
	3.2	Tyre size, front		230 x 70	3.2	
	3.3	Tyre size, rear		82 x 100	3.3	
	3.4	Additional wheels (dimensions)		100 x 40	3.4	
	3.5	Wheels, number front/rear (x = driven wheels)		1x + 2/2	3.5	
	3.6	Track width, front	b <sub>10</sub> (mm)		464	3.6
	3.7	Track width, rear	b <sub>11</sub> (mm)		368	3.7
Basic Dimensions	4.4	Lift height	h <sub>3</sub> (mm)	560	4.4	
	4.6	Initial lift	h <sub>5</sub> (mm)	122	4.6	
	4.9	Tiller height in drive position min./max.	h <sub>14</sub> (mm)	840/1275	4.9	
	4.15	Lowered height	h <sub>13</sub> (mm)	90	4.15	
	4.19	Overall length	l <sub>1</sub> (mm)	1715	4.19	
	4.20	Length to face of forks	l <sub>2</sub> (mm)	565	4.20	
	4.21	Overall width	b <sub>1</sub> /b <sub>2</sub> (mm)	718	4.21	
	4.22	Fork dimensions	s/e/l (mm)	60/187/1150	4.22	
	4.25	Width over forks	b <sub>5</sub> (mm)	540	4.25	
	4.32	Ground clearance, centre wheelbase	m <sub>2</sub> (mm)	30	4.32	
	4.33	Aisle width for pallets 1000 x 1200 crossways	Ast (mm)	1950 <sup>2)</sup>	4.33	
4.34	Aisle width for pallets 800 x 1200 lengthways	Ast (mm)	2000 <sup>3)</sup>	4.34		
4.35	Turning radius	Wa (mm)	1505 <sup>1)</sup>	4.35		
Performance Data	5.1	Travel speed laden/unladen	km/h	6.0/6.0	5.1	
	5.2	Lift speed laden/unladen	m/s	0.12/0.17	5.2	
	5.3	Lowering speed laden/unladen	m/s	0.20/0.13	5.3	
	5.8	Max. gradient performance laden/unladen	%	8/20	5.8	
	5.10	Service brake		electric	5.10	
E-Motor	6.1	Drive motor rating S <sub>2</sub> 60 min.	kW	1.0	6.1	
	6.2	Lift motor rating at S <sub>3</sub> 15 %	kW	1.2	6.2	
	6.3	Battery acc. to DIN 43531/35/36 A, B, C, no		no	6.3	
	6.4	Battery voltage, nominal capacity K <sub>5</sub>	V/Ah	2 x 12/216	6.4	
	6.5	Battery weight	kg	160	6.5	
Others	8.1	Type of drive control		impulse	8.1	

- 1) load section lowered: +55 mm  
 2) load section lowered: +55 mm; diagonal acc. to VDI: +362 mm  
 3) load section lowered: +55 mm; diagonal acc. to VDI: +202 mm

# Make use of the advantages

## Innovative 3-phase AC technology

Jungheinrich motors in 3-phase AC technology are more efficient and at the same time reduce operating costs over the entire lifespan of the truck. Make use of these advantages:

- High performance efficiency with excellent use of energy resources.
- Powerful acceleration.
- Stepless control of travel speed via the drive switch.
- Quick direction change without customary "moment of reflection".
- No carbon brushes – the drive motor is maintenance-free.
- 2-year warranty on drive motor.

## Travel in comfort

The Jungheinrich impulse control "Speed-Control" facilitates comfortable, safe travel:

- The set speed on the drive switch is maintained in every travel situation – even on gradients.
- The EJE C20 is automatically braked during unintentional rolling on ramps.
- Individually adjustable travel parameters (acceleration, end speed, motor brake) facilitate optimum adjustment to every application.
- The operator has a choice of three different travel programs (optional).
- Energy reclamation through regenerative braking by taking back the travel speed.
- Very low noise level during travel.

## Well informed at any time

Extensive monitoring instruments and adjustment options facilitate control at a glance:

- Battery discharge monitor (luminous diode in 3 colours) with lift cut-off.
- Adjustable travel parameters via CanDis and CanCode (optional).
- Information display "CanDis" (optional) with additional operating hour display and service data memory.
- Truck is started via PIN and choice of 3 travel programs via "CanCode" (optional).



Easy on the back lift height

## Optimum cornering

Sprung, hydraulically cushioned support wheels – linked via the coupling crank "ProTracLink" – distribute stabilising forces dependent on travel conditions: evenly over all wheels during straight travel; concentrated on the outer support wheel during cornering.

## Reduced maintenance

Significant long-term reduction of operating costs is ensured through service-friendly components:

- Maintenance-free 3-phase AC drive motor with no carbon brushes.
- Easy access to all aggregates through one-piece front cover held by only two screws.
- Secure protection of controls and plugs from dust and damp through enclosures according to IP 54.
- Low support wheel wear during sloping ramp ascent through level adjustment: because of a mechanical connection, both support wheels are constantly at the same height. The otherwise suspended support wheel does not catch nor sustain damaged.

## Optimised pallet handling

- Enclosed skids on both fork tips crossways entry into empty Euro pallets or closed pallets.
- Separate operation of mast and support arm lift to pick up half/quarter pallets from Euro pallets (optional).



Optimised fork tips

## Additional equipment

- Filing tray.
- Writing desk.
- Vertical load guard.
- Special switch lock for easy release of brake.
- Cold store design.



Pick up of one half pallet from one Euro pallet

## Jungheinrich UK Ltd.

Head Office:

Sherbourne House  
Sherbourne Drive  
Tilbrook  
Milton Keynes MK7 8HX  
Telephone 01908 363100

info@jungheinrich.co.uk  
www.jungheinrich.co.uk

ISO 9001, ISO 14001  
Certification of Quality and  
Environment Management.



Jungheinrich trucks  
conform to the European  
Safety Requirements.



**JUNGHEINRICH**  
Well worthwhile