

**High performance truck  
with rotating driver's cab**

**Heavy loads can be safely transported  
over medium to long distances**

**5 individually adjustable  
operating programs**

**MULTI-PILOT operation and  
steering integrated in the seat**

**Jungheinrich Curve Control  
for maximum safety**

**Automatic parking brake;  
no reversing on inclines**



## **EFG D30**

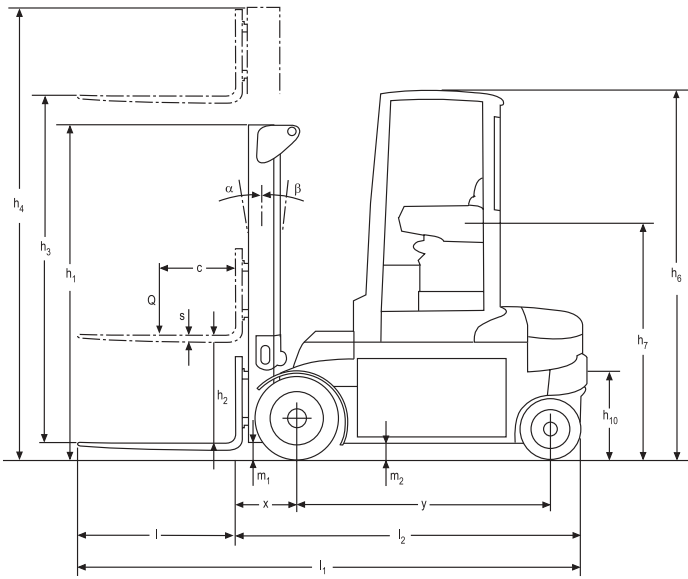
### **Four wheel electric forklift with rotating cab (3000 kg)**

The Jungheinrich EFG D30 is designed for transporting heavy and bulky loads in comfort and safety over medium to long distances. If forward visibility is restricted, the cab can be electrically rotated up to 180 degrees, giving the driver clear all-round visibility, enabling loads to be transported safely and without stress.

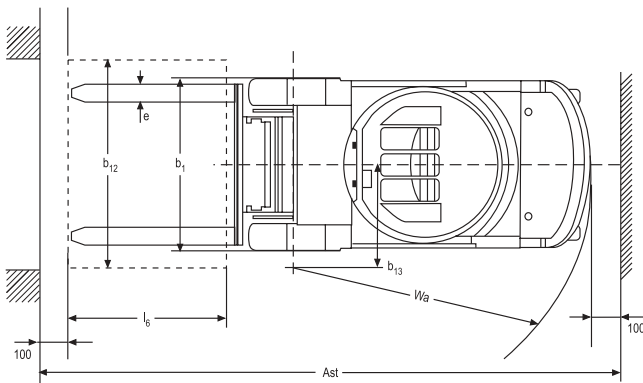
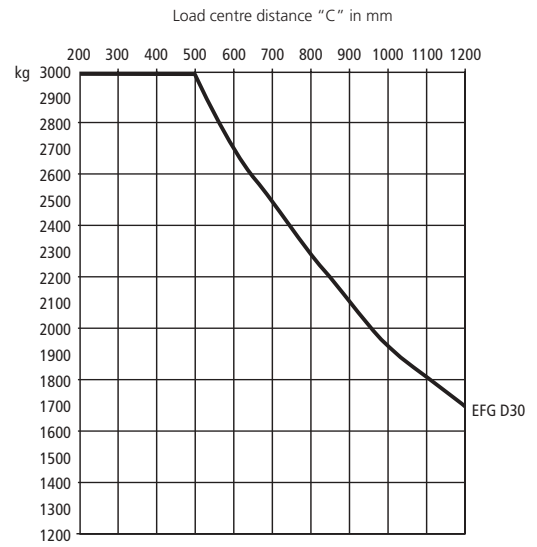
Using innovative AC technology has opened up new opportunities, providing a whole range of benefits for electric trucks:

- Outstanding productivity through maximum acceleration, traveling and lifting performance.
- Longer operating times through maximum efficiency and efficient energy recovery.
- Precise control and wear-free regenerative braking when the accelerator is released and energy is fed back to the battery.
- Enclosed, maintenance and wear-free AC motors (without carbon brushes) (IP 54 rating).
- This allows for faster turnaround between jobs over longer operating periods with a single battery charge.

# EFG D30



## Capacity



Designation	Mast table EFG D30					Capacity table (kg) c = 500 mm
	Lift h <sub>3</sub> mm	Free lift h <sub>2</sub> mm	Closed mast height h <sub>1</sub> mm	Max. height h <sub>4</sub> mm	Tilt forward/ backward α/β (°)	without sideshift, single solid tyres
Two-stage ZT	2900	150	2100	3606	6/8	3000
	3100	150	2200	3806	6/8	3000
	3300	150	2300	4006	6/8	3000
	3500	150	2400	4206	6/8	3000
	3700	150	2500	4406	6/8	3000
	4000	150	2650	4706	6/8	3000
	4300	150	2850	5006	6/8	3000
	4500	150	2950	5206	6/8	3000
	4700	150	3050	5406	6/5	2900
	5000	150	3200	5706	6/5	2800
	5500*	150	3500	6206	6/5	2550
5800*	150	3650	6506	6/5	2400	
Two-stage ZZ	2900	1379	2065	3586	6/8	3000
	3100	1479	2165	3786	6/8	3000
	3300	1579	2265	3986	6/8	3000
	3500	1679	2365	4186	6/8	3000
	3700	1779	2465	4386	6/8	3000
	4000	1929	2615	4686	6/8	3000
	4300	2129	2815	4986	6/8	3000
	4500	2229	2915	5186	6/8	3000
Three-stage DZ	4400	1379	2065	5086	6/8	3000
	4700	1479	2165	5386	6/5	2900
	5000	1579	2265	5686	6/5	2800
	5500*	1779	2465	6186	6/5	2500
	6000*	1979	2665	6686	6/5	2200
	6500*	2179	2865	7186	6/3	2000
	7000*	2379	3065	7686	6/3	1800

\* Truck width 1276 mm

# Technical Data in line with VDI 2198 as at: 06/2006

Identification	1.1	Manufacturer (abbreviation)	Jungheinrich	1.1	
	1.2	Manufacturer's type designation	<b>EFG D30</b>	1.2	
	1.3	Drive (electric – battery or mains, diesel, petrol, fuel gas, manual)	electric	1.3	
	1.4	Type of operation (hand, pedestrian, standing, seated, order picker)	seated	1.4	
	1.5	Load capacity/rated load	Q (t)	3	1.5
	1.6	Load centre distance	c (mm)	500	1.6
	1.8	Load distance, centre of drive axle to fork	x (mm)	430 <sup>1)</sup>	1.8
	1.9	Wheelbase	y (mm)	1775	1.9
	Weights	2.1	Service weight incl. battery (see line 6.5)	kg	5074
2.2		Axle loading, laden front/rear	kg	7241/858	2.2
2.3		Axle loading, unladen front/rear	kg	2462/2612	2.3
Wheels, Chassis	3.1	Tyres (solid rubber, superelastic, pneumatic, polyurethane)	SE	3.1	
	3.2	Tyre size, front	23 x 10-12	3.2	
	3.3	Tyre size, rear	18 x 7-8	3.3	
	3.5	Wheels, number front/rear (x = driven wheels)	2x/2	3.5	
	3.6	Track width, front	b <sub>10</sub> (mm)	1036	3.6
	3.7	Track width, rear	b <sub>11</sub> (mm)	920	3.7
	Basic Dimensions	4.1	Mast/fork carriage tilt forward/backward	$\alpha/\beta$ (°)	6/5
4.2		Lowered mast height	h <sub>1</sub> (mm)	2200	4.2
4.3		Free lift	h <sub>2</sub> (mm)	150	4.3
4.4		Lift height	h <sub>3</sub> (mm)	3100	4.4
4.5		Extended mast height	h <sub>4</sub> (mm)	3806	4.5
4.7		Overhead load guard (cab) height	h <sub>6</sub> (mm)	2560 <sup>2)</sup>	4.7
4.8		Seat height/standing height	h <sub>7</sub> (mm)	1512	4.8
4.12		Coupling height	h <sub>10</sub> (mm)	390/550	4.12
4.19		Overall length	l <sub>1</sub> (mm)	3671	4.19
4.20		Length to face of forks	l <sub>2</sub> (mm)	2521	4.20
4.21		Overall width	b <sub>1</sub> /b <sub>2</sub> (mm)	1276/–	4.21
4.22		Fork dimensions	s/e/l (mm)	45 x 125 x 1150	4.22
4.23		Fork carriage ISO 2328, class/type A, B		ISO 3 A	4.23
4.24		Fork carriage width	b <sub>3</sub> (mm)	1120	4.24
4.31		Ground clearance, laden, under mast	m <sub>1</sub> (mm)	110	4.31
4.32		Ground clearance, centre of wheelbase	m <sub>2</sub> (mm)	125	4.32
4.33		Aisle width for pallets 1000 x 1200 crossways	Ast (mm)	4080	4.33
4.34		Aisle width for pallets 800 x 1200 lengthways	Ast (mm)	4280	4.34
4.35	Turning radius	Wa (mm)	2450	4.35	
4.36	Smallest pivot point distance	b <sub>13</sub> (mm)	700	4.36	
Performance Data	5.1	Travel speed, laden/unladen	km/h	19.9/19.9	5.1
	5.2	Lift speed, laden/unladen	m/s	0.50/0.67	5.2
	5.3	Lowering speed, laden/unladen	m/s	0.56/0.57	5.3
	5.5	Drawbar pull, laden/unladen S <sub>2</sub> 60 min	N	4800/5300	5.5
	5.6	Max. drawbar pull, laden/unladen S <sub>2</sub> 5 min	N	14000/14500	5.6
	5.7	Gradient performance, laden/unladen S <sub>2</sub> 30 min	%	10/17	5.7
	5.8	Max. gradient performance, laden/unladen	%	18/29	5.8
	5.9	Acceleration time, laden/unladen	s	4.2/3.7	5.9
	5.10	Service brake		electr./electro hydr.	5.10
	E-Motor	6.1	Drive motor rating S <sub>2</sub> 60 min	kW	14.5
6.2		Lift motor rating at S <sub>3</sub> 15 %	kW	23.5	6.2
6.3		Battery acc. to DIN 43531/35/36 A, B, C, no		DIN 43536 A	6.3
6.4		Battery voltage, nominal capacity K <sub>5</sub>	V/Ah	80/540	6.4
6.5		Battery weight	kg	1445	6.5
6.6		Battery dimensions l/w/h	mm	1026/996/537	
Other Details	6.6	Energy consumption acc. to VDI cycle	kWh/h	7.68 <sup>3)</sup>	6.6
	8.1	Type of drive control		impulse/AC	8.1
	8.2	Operating pressure for attachments	bar	200	8.2
	8.3	Oil volume for attachments	l/min	30	8.3
	8.4	Sound level at driver's ear according to EN 12 053	dB(A)	63	8.4
8.5	Tow coupling, type DIN		DIN 15170 H	8.5	

- 1) DZ mast + 25 mm  
 2) cab + 70 mm  
 3) at 45 working cycles/h

# Make use of the advantages



Operators compartment with driving controls integrated in the seat

## Rotating cab

The cab can be infinitely adjusted via the MULTI-PILOT from 30 degrees to the left to 180 degrees to the right. A memory system also enables the driver to use preset rotary angles. During travel, the cab can be rotated up to 90 degrees. Additional rotation can only be carried out while the truck is idle, as the travel and steering directions automatically change.

## Comfortable working environment

The functional and ergonomically designed operator position provides for relaxed, fatigue-free operation over long shifts:

- Safe entry with large steps and grab handle. Ideal entry position when cab is rotated 45 degrees to the right.
- Seat with automatic weight adjustment, height adjustment at the press of a button.
- Large headroom for driver.
- MULTI-PILOT and Comfort Display are contained within the right-hand arm rest and are therefore easy to operate and check. The arm rest height is infinitely adjustable.
- The electric/hydraulic power-assisted steering based on the fly-by-wire system is particularly sensitive and precise.
- Operating the steering wheel, just 100 mm and contained in the left armrest, is child's play.
- The armrest can be folded down to allow for easy entry and exit.
- A fully glazed cab and heating are optionally available.

## Wear-Free braking

The braking system provides for safe, comfortable and wear-free braking:

- Motor brake for wear-free regenerative braking with the accelerator pedal in normal operation.
- Additional electric braking system via the brake pedal that operates in 3 stages: Stage 1: Maximum regenerative brake, Stage 2: Inversion brake. Stage 3: The electro-magnetic spring-loaded accumulator brake applies (oil bath multi-plate brake).
- The electrically operated spring-loaded accumulator brake also acts as a parking brake. It automatically applies when the truck is idle and is released when the truck starts again. This prevents the trucks from accidentally rolling away.

## Maintenance-free AC motors

All designed using three-phase technology: drive motor, hydraulic motor, steering motor and traverse motor. High performance, low energy consumption, less maintenance:

- High torques for faster turnaround of jobs.
- 15 % better efficiency compared with shunt motors.
- No carbon brushes, no commutator – no servicing requirements.
- Fully enclosed and protected to IP 54. Long life, even under dusty and damp conditions.
- 2 year warranty.

## Active safety

Maximum travel dynamics and performance also require a high level of safety:

- Automatic travel speed reduction when negotiating bends through Curve Control.



Electro-hydrostatic steering



MULTI-PILOT and Comfort Display

- Automatic parking brake ensures controlled operation on ramps and slopes.
- Improved stability and residual capacity through extremely low centre of gravity.
- Stable travelling with long wheelbase.
- Electronic and hydraulic overload protection.
- Emergency disconnect switch easy to reach.
- Secure data transfer between electronic components with CAN-Bus technology.
- The truck complies with current EU industrial truck CE guidelines.

## Intelligent electronics

The BoardControl permanently regulates and monitors all the truck functions.

- Smooth travel, dynamic reversing and positioning to the nearest millimetre while at the same time consuming minimum energy through impulse control.
- Can be adapted to any type of application through 5 individually adjustable operating programs.
- All components monitored and service data stored for rapid and cost-effective diagnostic system based maintenance.
- Comfort Display with digital hourmeter, battery discharge indicator with lift cutout, time, error code and warnings displayed.
- Steering position displayed as standard.

## Jungheinrich UK Ltd.

Head Office:

Sherbourne House · Sherbourne Drive  
Tilbrook · Milton Keynes MK7 8HX  
Phone 01908 363100  
Fax 01908 363180

info@jungheinrich.co.uk  
www.jungheinrich.co.uk

Jungheinrich UK Ltd.  
ISO 9001  
Certification of Quality  
Management.



Jungheinrich AG  
ISO 9001, ISO 14001  
Certification of Quality and  
Environment Management.



Jungheinrich trucks  
conform to the European  
Safety Requirements.



**JUNGHEINRICH**  
Well worthwhile