

Enclosed fork tips

Acid-resistant chassis

Robust and durable

Short and manoeuvrable

Grease nipples on all moving parts



AM 2000 INOX/INOX PRO

Stainless steel hand pallet truck (2000 kg)

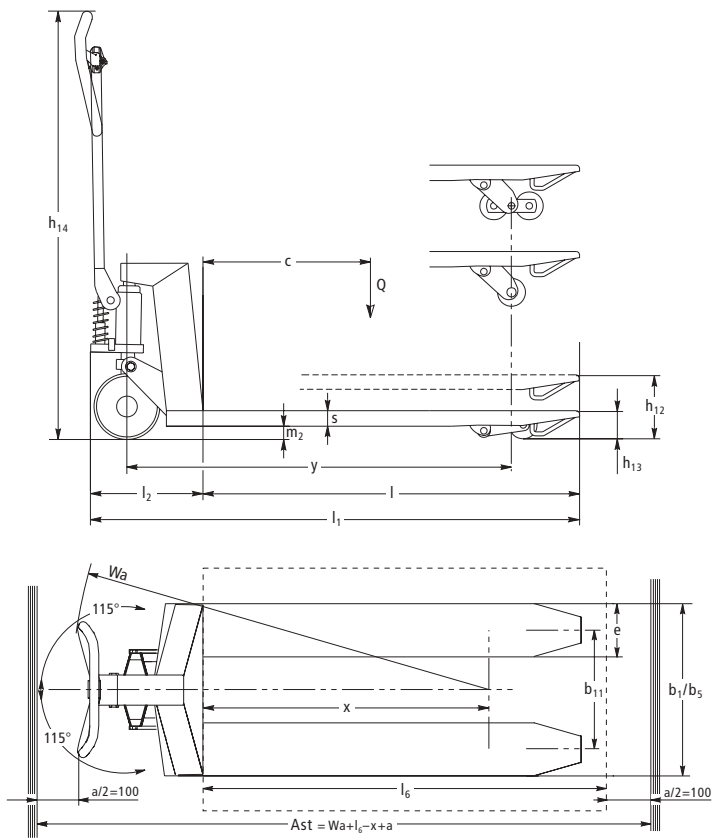
The INOX design of the Jungheinrich hand pallet truck AM is ideal for applications in damp or harsh environments. The advantages of the INOX design is also important where absolute hygiene is required. A choice

of different designs is available dependent on the application.

Decades of Jungheinrich experience in stainless steel hand pallet trucks are reflected

today in reliable and robust trucks. Whether for slaughterhouses, fish processing or for the chemical/pharmaceutical industry – the Jungheinrich stainless steel hand pallet trucks provide the right solution.

AM 2000 INOX/INOX PRO



Technical Data in line with VDI 2198 as at: 09/2005

Identification	1.1	Manufacturer (abbreviation)	Jungheinrich	Jungheinrich	Jungheinrich	1.1	
	1.2	Manufacturer's type designation	AM 2000 INOX/INOX PRO (810 mm)	AM 2000 INOX/INOX PRO (970 mm)	AM 2000 INOX/INOX PRO (1140 mm)	1.2	
	1.4	Type of operation (hand, pedestrian, standing, seated, order picker)	hand	hand	hand	1.4	
	1.5	Load capacity/rated load Q (t)	2	2	2	1.5	
	1.6	Load centre distance c (mm)	400	500	600	1.6	
	1.8	Load distance, centre of drive axle to fork x (mm)	645	805	975	1.8	
	1.9	Wheelbase y (mm)	875	1035	1170	1.9	
	Weights	2.1	Service weight kg	64	66	68	2.1
		2.2	Axle loading, laden front/rear kg	–	–	1432/636	2.2
2.3		Axle loading, unladen front/rear kg	–	–	47/21	2.3	
Wheels, Chassis	3.1	Tyres (solid rubber, superelastic, pneumatic, polyurethane)	N; V	N; V	N; V	3.1	
	3.2	Tyre size, front	200	200	200	3.2	
	3.3	Tyre size, rear	80x90/80x70	80x90/80x70	80x90/80x70	3.3	
	3.5	Wheels, number front/rear (x = driven wheels)	2/2 or 2/4	2/2 or 2/4	2/2 or 2/4	3.5	
	3.6	Track width, front b ₁₀ (mm)	360	360	360	3.6	
	3.7	Track width, rear b ₁₁ (mm)	130	130	130	3.7	
	Basic Dimensions	4.4	Lift height h ₃ (mm)	115	115	115	4.4
4.9		Height of tiller in drive position min./max. h ₁₄ (mm)	1220	1220	1220	4.9	
4.14		Standing height, elevated h ₁₂ (mm)	200	200	200	4.14	
4.15		Lowered height h ₁₃ (mm)	85	85	85	4.15	
4.19		Overall length l ₁ (mm)	1150	1310	1480	4.19	
4.20		Length to face of forks l ₂ (mm)	340	340	340	4.20	
4.22		Fork dimensions s/e/l (mm)	45/160/810	45/160/970	45/160/1140	4.22	
4.25		Width over forks b ₅ (mm)	520/680	520/680	520/680	4.25	
4.32		Ground clearance, centre of wheelbase m ₂ (mm)	38	38	38	4.32	
4.33		Aisle width for pallets 1000x1200 crossways Ast (mm)	1340	1340	1340	4.33	
4.34		Aisle width for pallets 800x1200 lengthways Ast (mm)	1740	1740	1740	4.34	
Performance Data	5.3	Lowering speed, laden/unladen m/s	0.09/0.04	0.09/0.04	0.09/0.04	5.3	

Make use of the advantages



Handle

Easy to use

The "easy to operate" handle is equally suitable for left- or right-handed operators. The special lowering valve allows the loads to be lowered with particular sensitivity.

Optimum hygiene

The enclosed fork tips ensure that splatters of dirt cannot reach the load. Freely accessible or completely enclosed openings facilitate effective cleaning with no "hiding places for bacteria". Grease nipples on all moving parts and lubricants suitable for foodstuff (class H1 and H2) are used as standard.

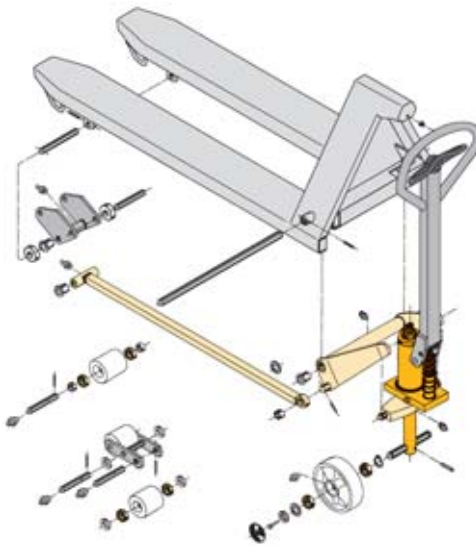
Fast operation

The very short chassis length of 340 mm gives safe and easy operation even in most confined spaces. Easy fork entry and exit is ensured through pallet skids on the fork tips.



Enclosed fork tips

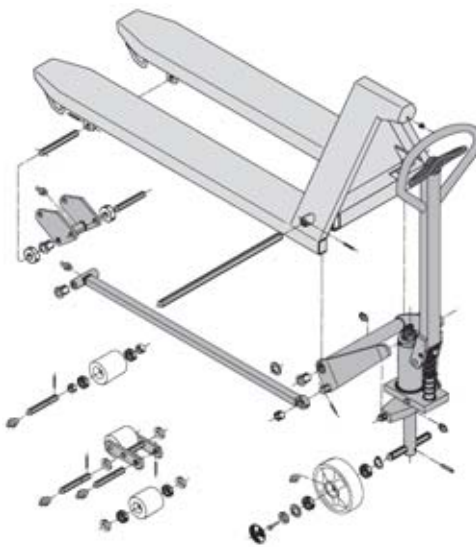
AM 2000 INOX



Trucks made 100% of stainless steel are not always required. Only those components that come in direct contact with food must be made of stainless steel. Some components only need to be moisture repellent. This is the reason why AM 2000 INOX components consist of different materials.

- Chassis: acid-resistant stainless steel (AISI 316)
- Tiller: stainless steel (AISI 303/304)
- Pump: electro-galvanised and yellow chromed
- Axle: stainless steel (AISI 303/304)
- Lifting lever: hot-dip galvanised
- Tie rod: hot-dip galvanised
- Support arm lever: stainless steel (AISI 303/304)

AM 2000 INOX PRO



The AM 2000 INOX PRO is 100% protected against rust and was specially designed for applications where hygiene is of utmost importance. Its hydraulics are protected and foreign bodies and water cannot penetrate it.

- Chassis: acid-resistant stainless steel (AISI 316)
- Tiller: stainless steel (AISI 303/304)
- Pump: stainless steel (AISI 303/304)
- Axle: stainless steel (AISI 303/304)
- Lifting lever: stainless steel (AISI 303/304)
- Tie rod: stainless steel (AISI 303/304)
- Support arm lever: stainless steel (AISI 303/304)

Jungheinrich UK Ltd.

Head Office:

Sherbourne House
 Sherbourne Drive
 Tilbrook
 Milton Keynes MK7 8HX
 Telephone 01908 363100

info@jungheinrich.co.uk
 www.jungheinrich.co.uk

ISO 9001, ISO 14001
 Certification of Quality and
 Environment Management.



Jungheinrich trucks
 conform to the European
 Safety Requirements.



JUNGHEINRICH
Well worthwhile