

**Accurate weighing technology
for warehouse, production
and despatch**

**4 weighing cells technology
for professional weighing processes**

**Variations for almost every
weighing application**

**Operating handle suitable for both
left and right-handed operators**



AMW 22/22p

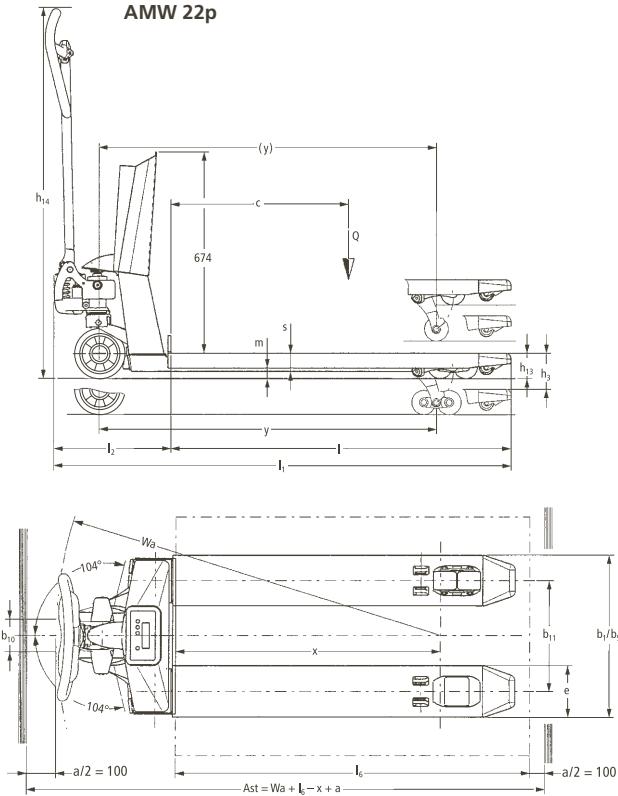
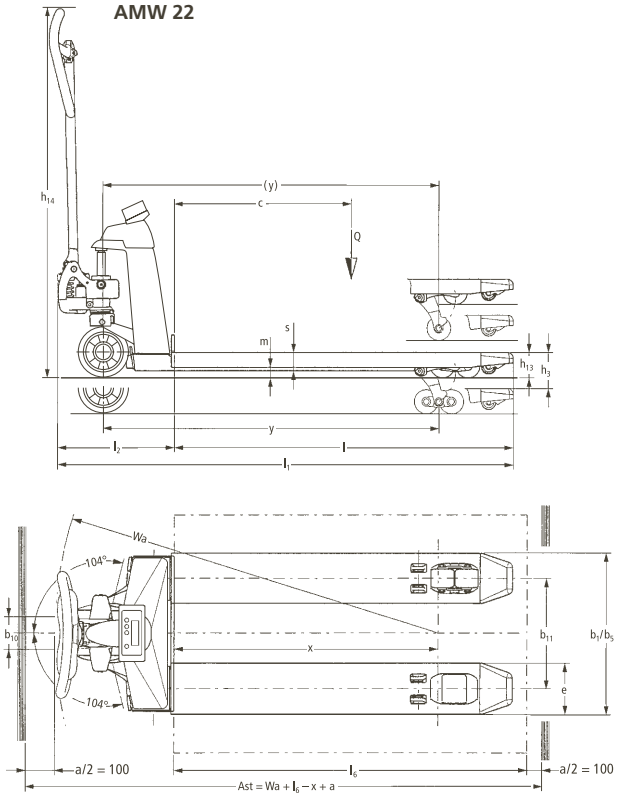
Hand pallet truck with weighing scales (2200 kg)

The hand pallet trucks AMW 22 and AMW 22p are mobile weighing scales for warehouse, production and despatch. Wherever goods need to be weighed and transported these hand pallet trucks are the ideal solution, as they bring the weighing scales to the goods.

For example, the basic model of the AMW 22 provides an efficient and accurate weighing device suitable for any application due to 4 weighing cells technology. 1 kg display stages and a maximum of 0.1 % deviation from the measuring range are exactly the right standard for a wide range of applications.

The AMW 22p is even more professional. This weighing pallet truck with its numerous functions allows for individual adjustments for every application. A multi-range display, maximum precision (99.9 % minimum of weighed weight), various options and the well designed battery change module make the AMW 22p a first class truck.

AMW 22/22p



Technical data in line with VDI 2198 as at: 01/2007

Identification	1.1	Manufacturer (abbreviation)		Jungheinrich	1.1
	1.2	Manufacturer's type designation		AMW 22/AMW 22p	1.2
	1.3	Drive		manual	1.3
	1.4	Operator type		hand	1.4
	1.5	Load capacity/rated load	Q (t)	2.2	1.5
	1.6	Load centre distance	c (mm)	600	1.6
	1.8	Load distance, centre of drive axle to fork	x (mm)	890	1.8
	1.9	Wheelbase	y (mm)	1110	1.9
	Weights	2.1	Service weight	kg	99
2.2		Axle loading, laden front/rear	kg	578/1721	2.2
2.3		Axle loading, unladen front/rear	kg	61/38	2.3
Wheels, Chassis	3.1	Tyres		Solid rubber, Polyurethane	3.1
	3.2	Tyre size, front		170 x 44	3.2
	3.3	Tyre size, rear		82 x 96/82 x 62	3.3
	3.5	Wheels, number front rear (x = driven wheels)		2/2 or 2/4	3.5
	3.6	Tread, front		109	3.6
	3.7	Tread, rear	b ₁₁ (mm)	370	3.7
	Basic Dimensions	4.4	Lift	h ₃ (mm)	122
4.9		Height of tiller in drive position min./max.	h ₁₄ (mm)	1234	4.9
4.15		Height, lowered	h ₁₃ (mm)	86	4.15
4.19		Overall length	l ₁ (mm)	1546 ¹⁾	4.19
4.20		Length to face of forks	l ₂ (mm)	396	4.20
4.21		Overall width	b ₁ /b ₂ (mm)	540/700	4.21
4.22		Fork dimensions	s/e/l (mm)	62 x 170 x 1150	4.22
4.25		Distance between fork-arms	b ₅ (mm)	540/700	4.25
4.32		Ground clearance, centre of wheelbase	m ₂ (mm)	24	4.32
4.33		Aisle width for pallets 800 x 1200	Ast (mm)	1734	4.33
4.34		Aisle width for pallets 800 x 1200 lengthways	Ast (mm)	1784	4.34
4.35		Turning radius	Wa (mm)	1303	4.35
Performance Data	5.3	Lowering speed, laden/unladen	m/s	0.09/0.02	5.3

1) with fork length 1150 mm

Make use of the advantages

Easy to handle

The operating handle is equally suitable for both left and right handed operators. The special lowering valve allows for loads up to 1000 kg to be lowered particularly sensitively. The standard fast lift (to 120 kg) ensures that Euro pallets are lifted off the floor with only three pump strokes and the maximum lift height is achieved in 5 pump strokes.

Maximum precision

The weighing cells are positioned at the four end points of the forks and ensure extremely precise weight recording up to a slanting position of 2°.

Thoroughly robust

Maximum stability is achieved through the well proven fork construction. Electronics and display are protected against dust and water (protection class IP 65).

A truck to suit your application

Two different types of pallet trucks with weighing scales are available to ensure the optimum economic solution for every application.



AMW 22 – display/operation

Performance characteristics AMW 22:

- 2200 kg weighing capacity.
- Fast lift.
- 1 kg display stages over the entire measuring range up to 2200 kg.
- 0.1 % maximum deviation from measuring range.
- Protected against moisture and dust (protection class IP 65).
- Automatic zero correction, also via the keyboard.
- Taring over the entire weighing range.
- Voltage supply via 4 x AA, 1.5 V batteries is sufficient for approximately 1700 weighing processes.
- Automatic switch-off after 3 minutes idle time.

Special equipment AMW 22:

- Tandem design.



AMW 22p – display/operation

Performance characteristics AMW 22p:

- Automatic multi-range display:

Measuring interval	Measuring range
0.2 kg	up to 200 kg
0.5 kg	up to 500 kg
1.0 kg	up to 2200 kg
- After weight taring, the LC display is automatically adjusted to the lower weight.
- 0.1 % maximum deviation from the weighed weight.
- Protected against moisture and dust (protection type IP 65).
- Plug-in battery module with 12 V/1.2 Ah incl. charger
- 60 hours operating time
- Automatic switch-off after 30 minutes idle time.

Special equipment AMW 22p:

- Optional special functions:
 - Unit counting by entering or establishing unit weight.
 - Key button for weight display in either kg or lbs.
 - Background lighting for display.
 - Date and time.
 - Battery discharge indicator.
 - Entry of 5-digit codes.
- More precise multi-range display:

Measuring interval	Measuring range
0.1 kg	up to 200 kg
0.2 kg	up to 400 kg
0.5 kg	up to 2000 kg
- Calibrated designs grade III (EU registration No. T 2782).
- Additional battery change module.
- Integrated printer.
- Special fork dimensions.
- Wheel brake and parking brake, foot brake.
- Antistatic steering wheel.



Maximum precision with AMW 22p



Efficient weighing with AMW 22

Jungheinrich UK Ltd.

Head Office:

Sherbourne House · Sherbourne Drive
 Tilbrook · Milton Keynes MK7 8HX
 Phone 01908 363100
 Fax 01908 363180

info@jungheinrich.co.uk
 www.jungheinrich.co.uk

Jungheinrich AG
 ISO 9001, ISO 14001
 Certification of Quality and
 Environment Management.



Jungheinrich trucks
 conform to the European
 Safety Requirements.



JUNGHEINRICH
Well worthwhile